

<b>1</b>	<b>NDK Part Number</b>	NT2520SA-26M-DJA3001A
<b>2</b>	<b>NDK Specification Number</b>	DJA3001A
<b>3</b>	<b>Type</b>	NT2520SA
<b>4</b>	<b>Rating</b>	
4.1	Nominal Frequency ( $f_{nom}$ )	26 MHz ( 2 digits marking )
4.2	Supply Voltage	+2.4 V +/-0.1 V DC (-Earth)
4.3	Current Consumption	Max. 1.1 mA (Typ. 0.9 mA)
4.4	Output Voltage	Min. 0.8 V <sub>p-p</sub> Clipped sine wave (DC-Coupling)
4.5	Operable Temperature Range	-30 to +75 °C
4.6	Storage Temperature Range	-40 to +85 °C
4.7	Load impedance	10 kΩ // 10 pF
4.8	DC-cut Capacitor	DC-cut capacitor of output is not put in TCXO. Please add DC-cut capacitor (1000 pF) in output line.

**5 Electrical specification**

**5.1 Frequency Stability**

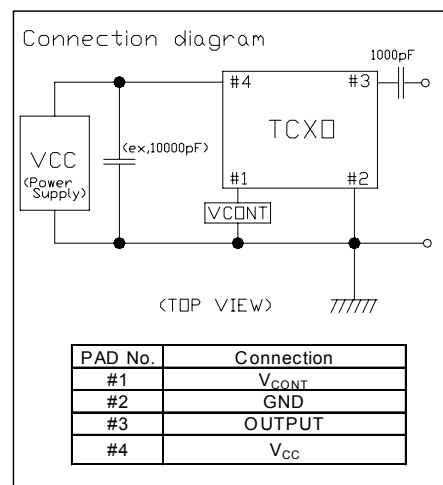
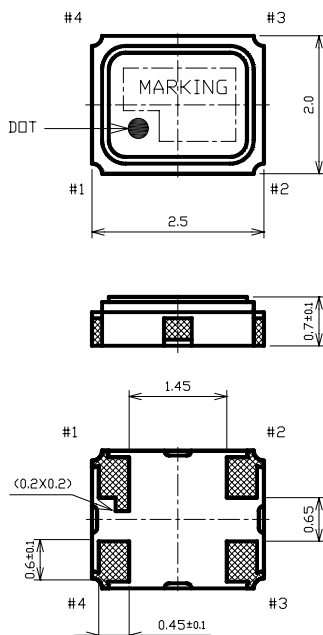
5.1.1	Frequency / Temperature Characteristics	Max. +/-2.5 ppm / -30 to +75 °C ( Based on frequency at +25 +/-2 °C )
5.1.2	Frequency / Voltage Coefficient	Max. +/-0.2 ppm / +2.4 V +/-0.1 V
5.1.3	Frequency / Load Coefficient	Max. +/-0.2 ppm / (10 kΩ // 10 pF) +/-10%
5.1.4	Frequency Tolerance at Control Voltage ( V <sub>cont</sub> = +1.2 V DC )	Max. +/-2.5 ppm (at +25 +/-2 °C, after two reflows, based on nominal frequency)
5.1.5	Long-term Frequency Stability	Max. +/-2.0 ppm / 5 years

**5.2 External Adjustment**

5.2.1	Control Voltage (V <sub>cont</sub> )	+1.2 V +/-1.0 V DC
5.2.2	Frequency control range based on frequency at V <sub>cont</sub> = +1.2 V DC	+/-9.0 to +/-15.0 ppm
5.2.3	Frequency Change Polarity	Positive
5.3	Stabilization Time	Max. 4.0 ms (+/-0.1 ppm of final frequency final frequency is the frequency after 10 s from the point when supply voltage is reached at+2.4 V. Measurement is done while the control voltage is kept at its typical value at +25 +/-2 °C )
5.4	Symmetry	40 to 60 % (Based on GND. The output signal after DC cut capacitor passage)
5.5	Harmonic Distortion	Max. -5 dBc
5.6	Phase Noise	Max. -130 dBc/Hz (@1 kHz offset)

**6 Dimension**

(Unit: mm)



# Mouser Electronics

Authorized Distributor

Click to View Pricing, Inventory, Delivery & Lifecycle Information:

NDK:

[NT2520SA-26.000000MHZ-A1](#)